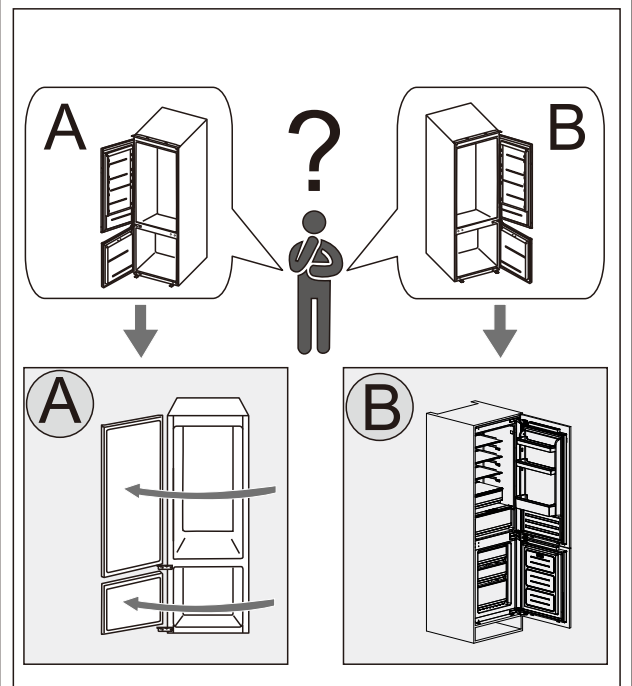
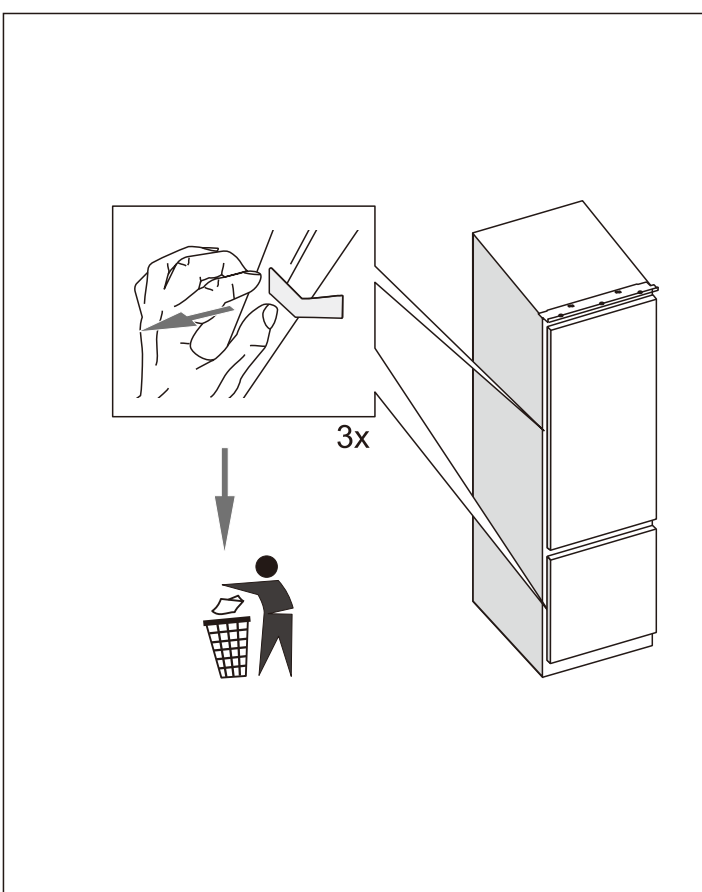
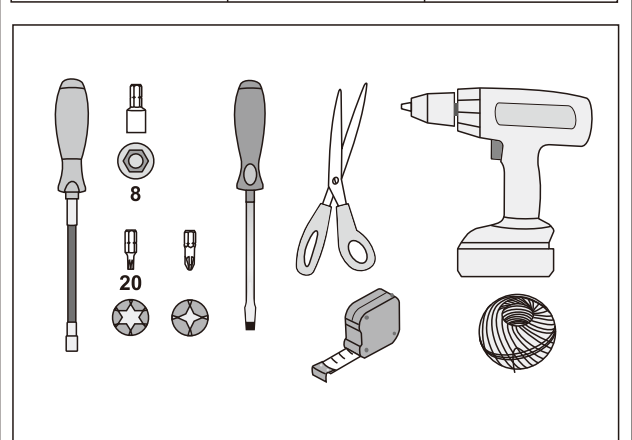
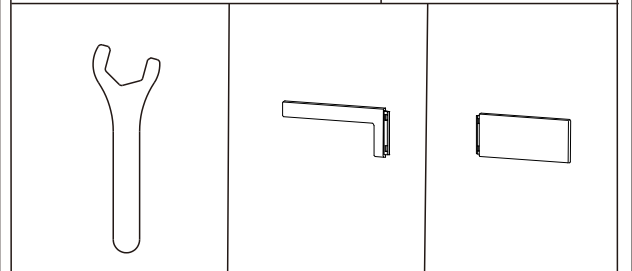
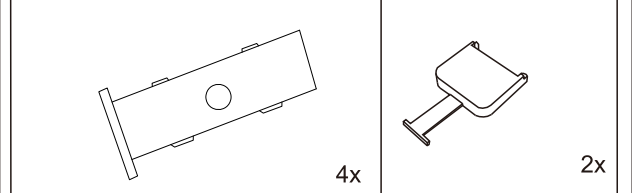
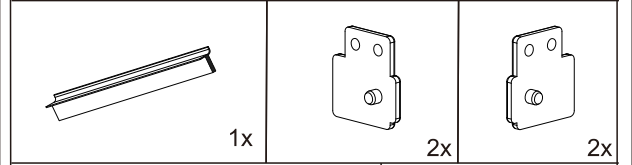
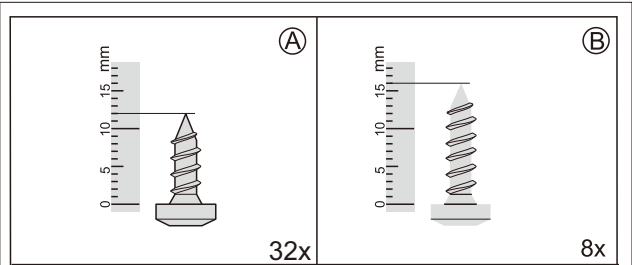
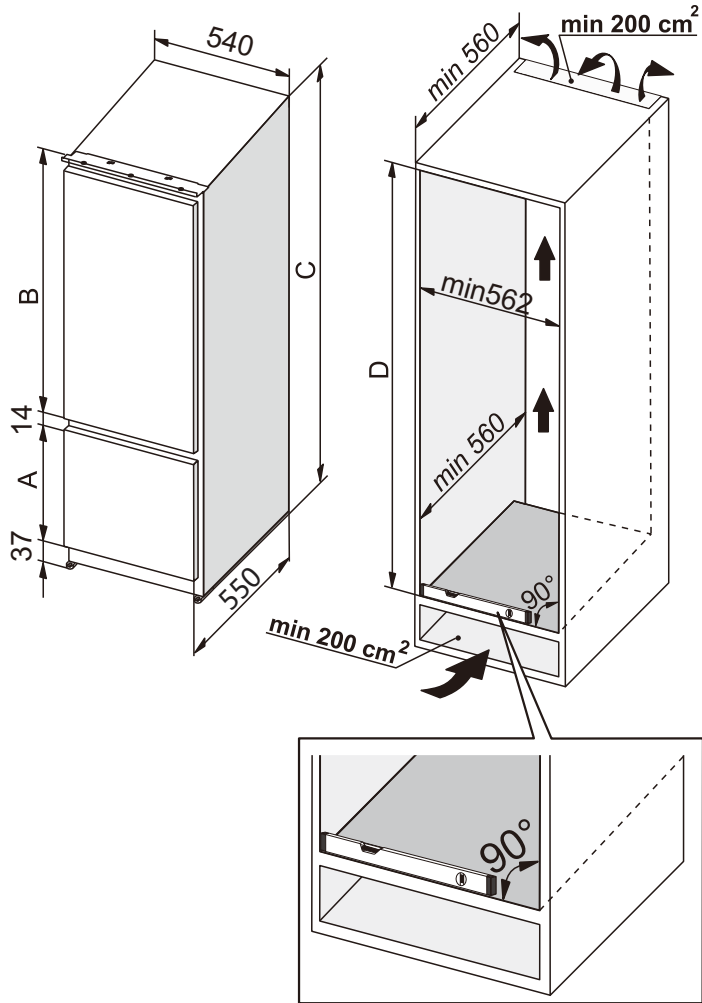
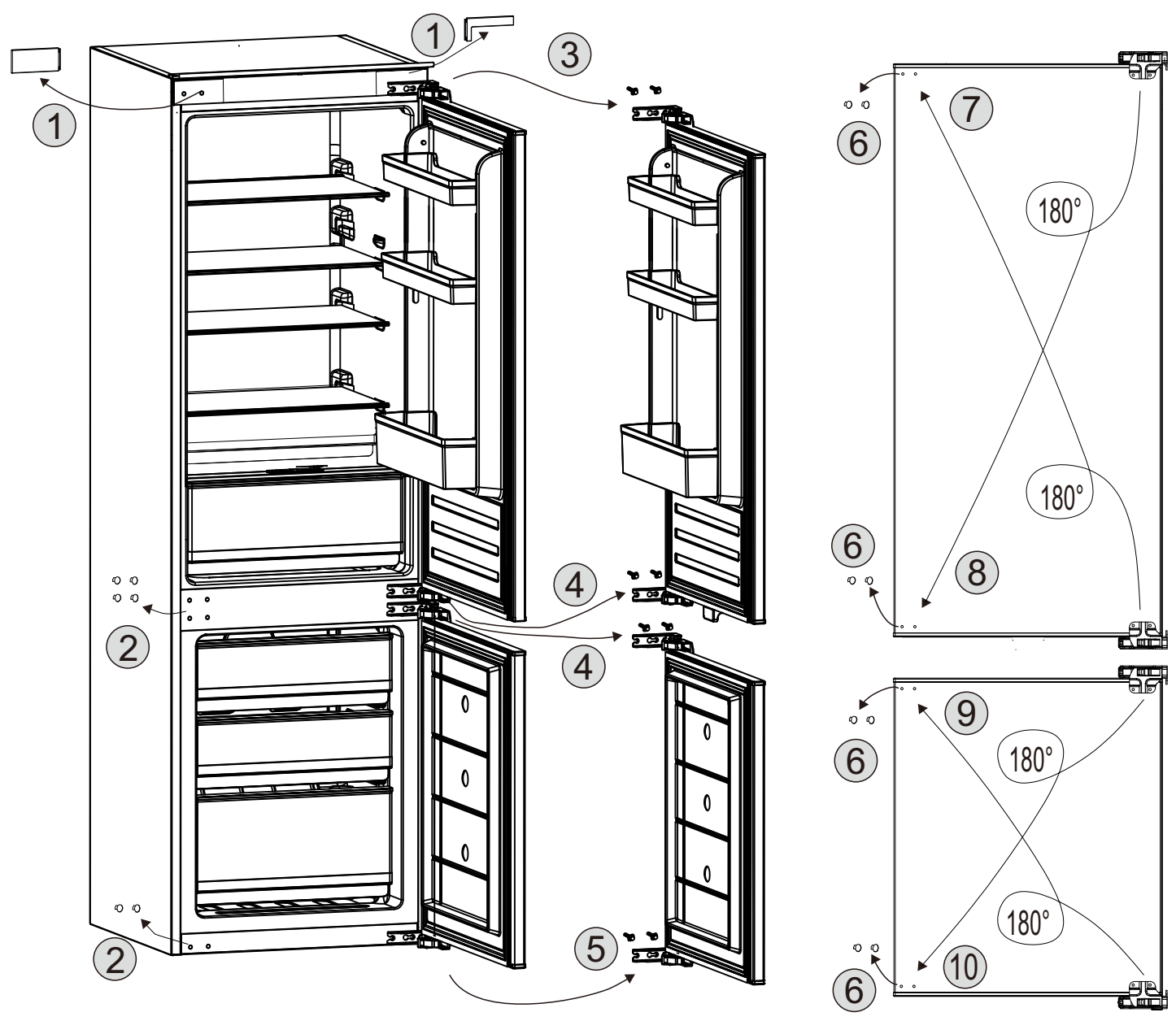
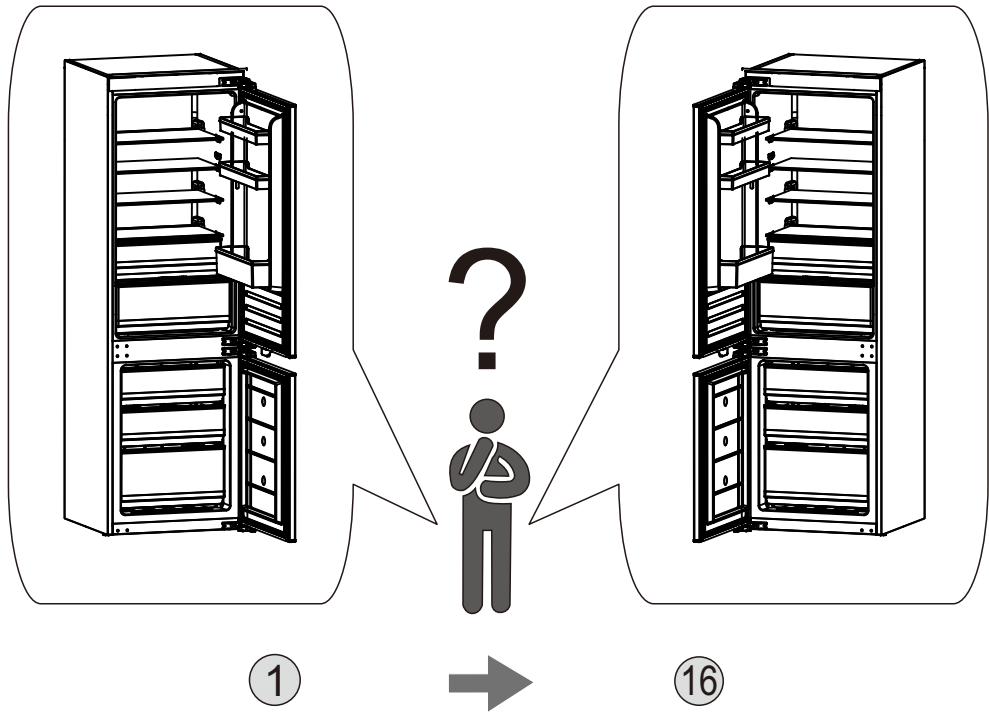


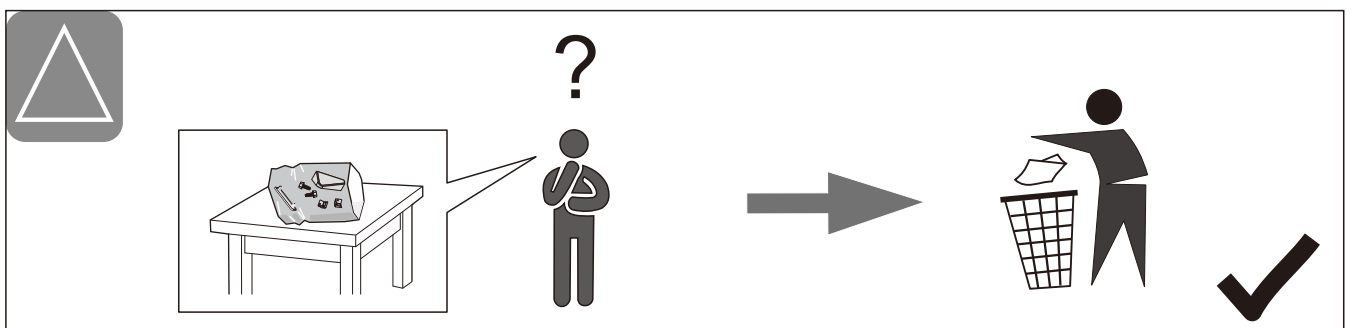
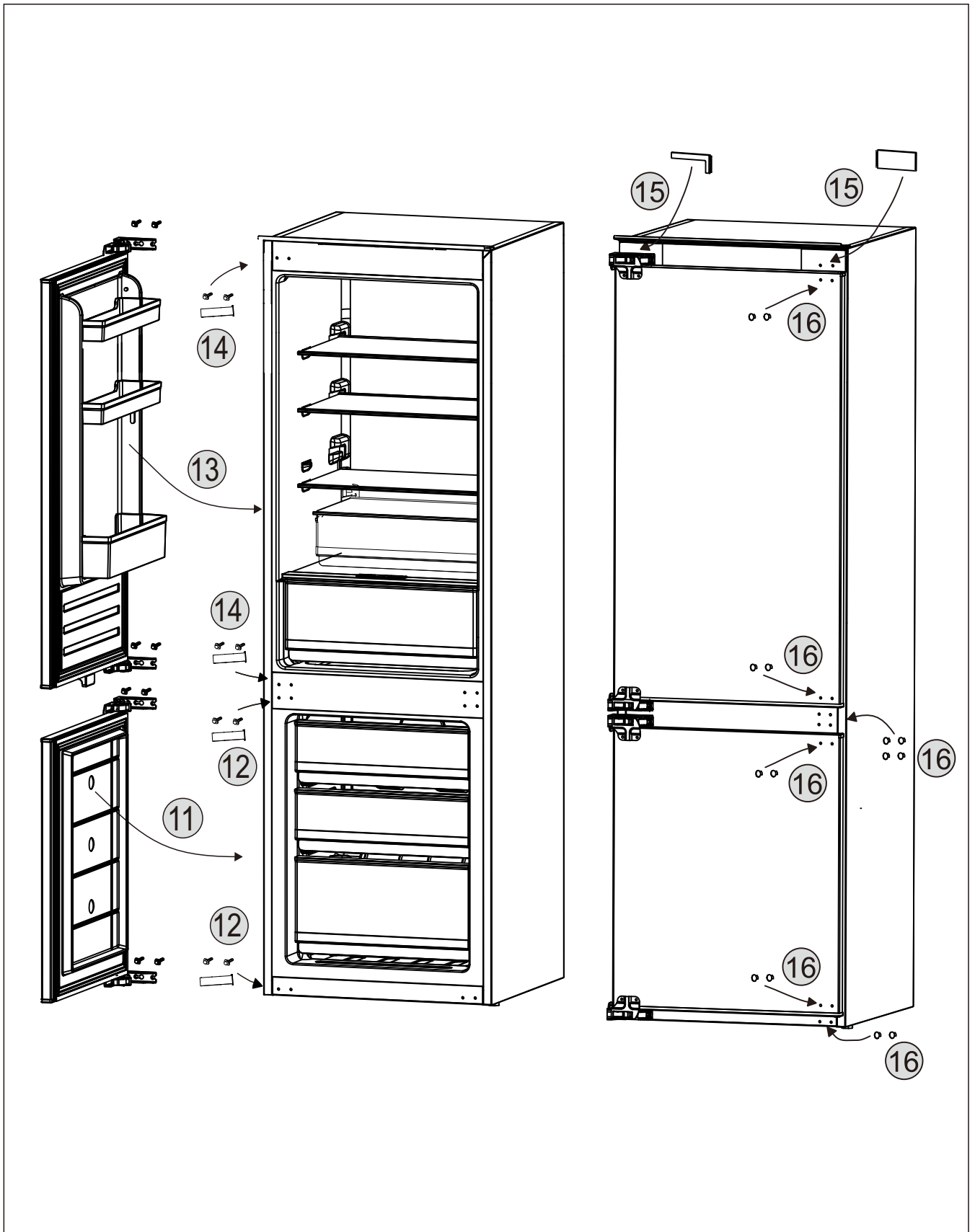


A (mm)	B (mm)	C (mm)	D (mm)
661	1064	1776	1778-1781



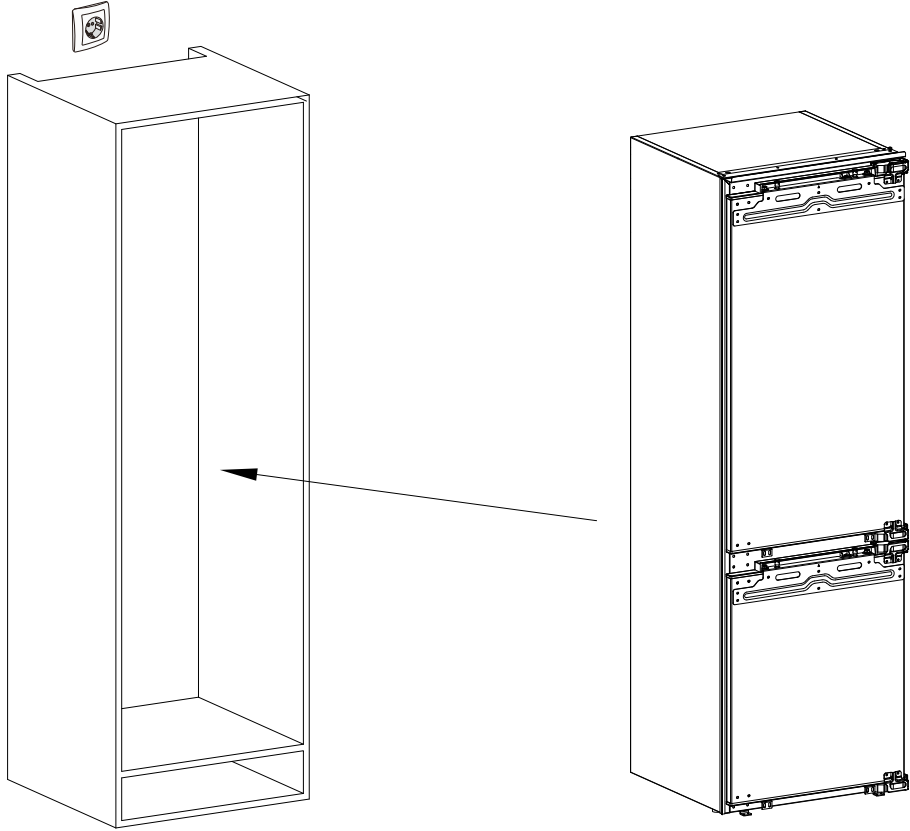
A



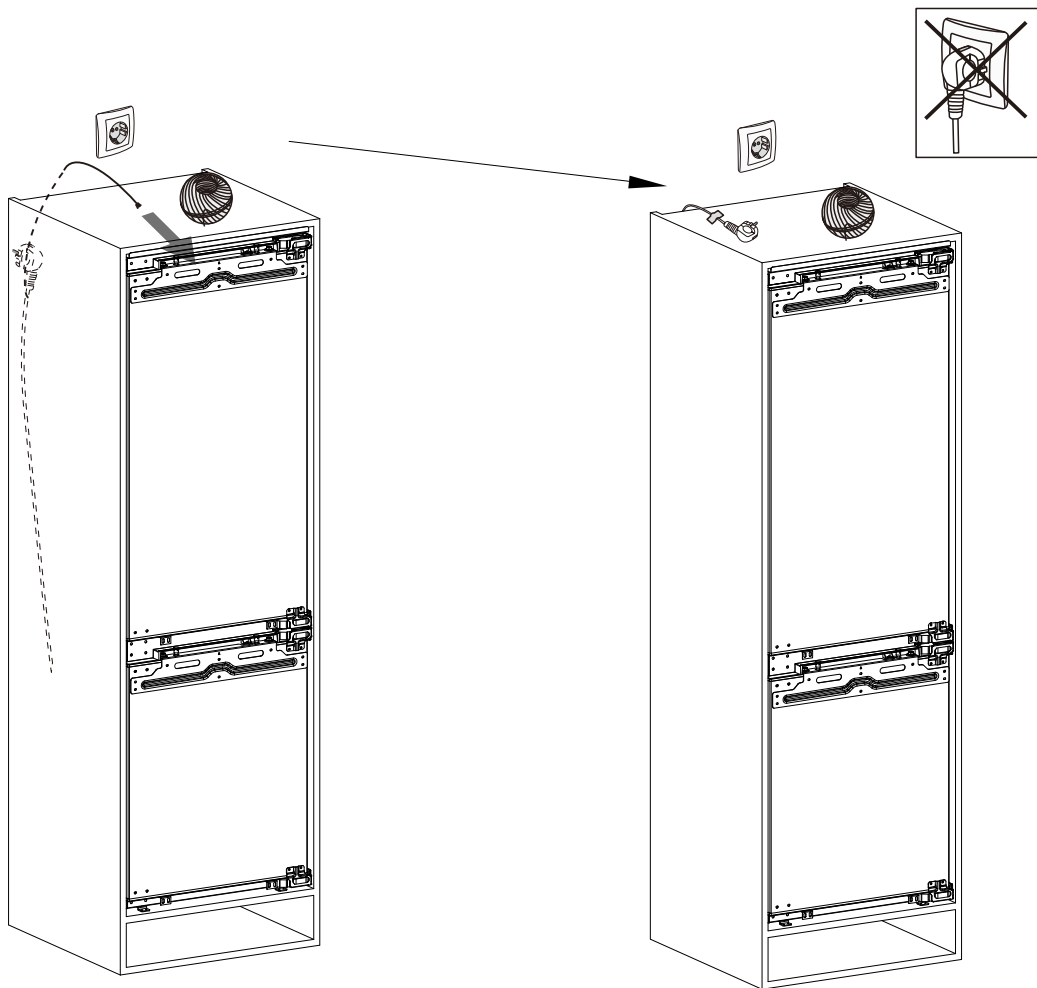


B

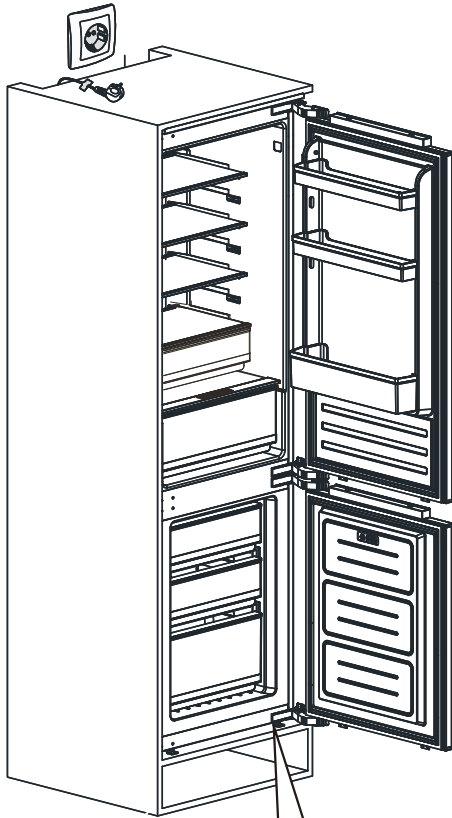
1



2

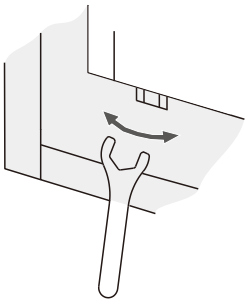


3



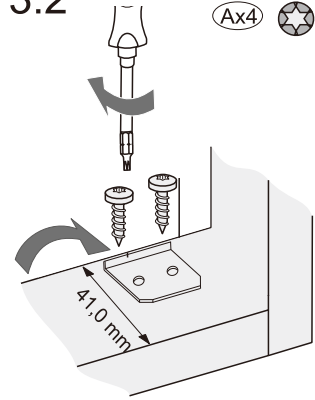
3.1

1x1

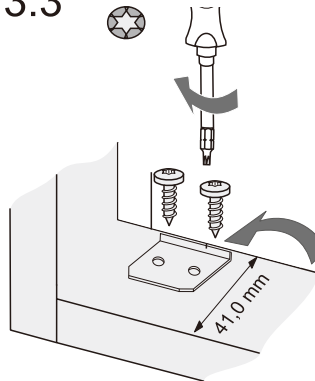


3.2

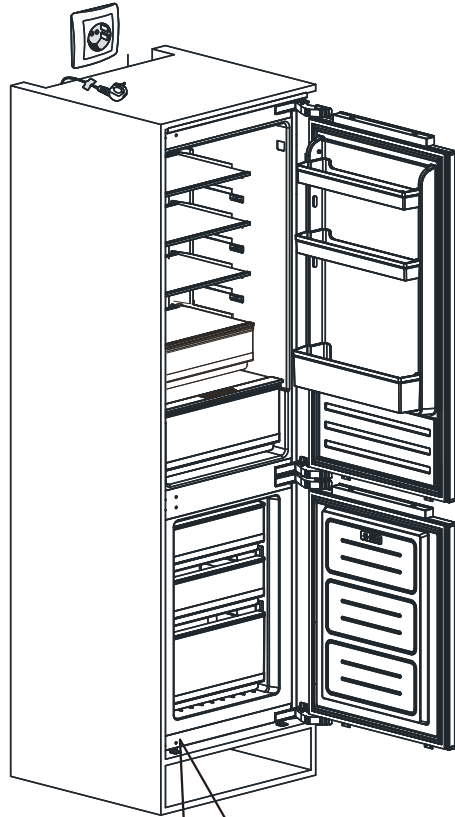
Ax4



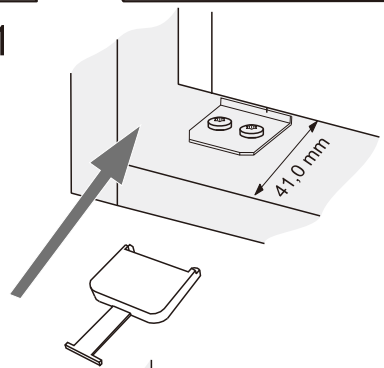
3.3



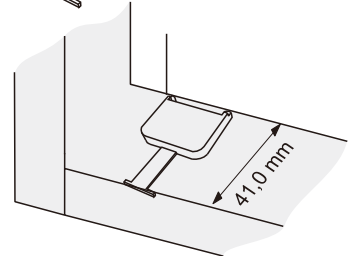
4



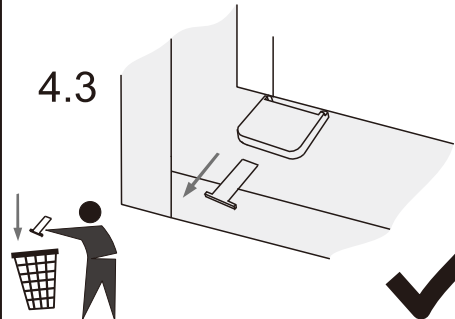
4.1



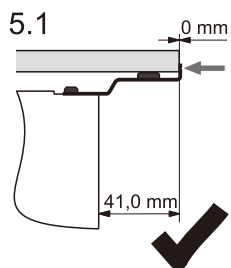
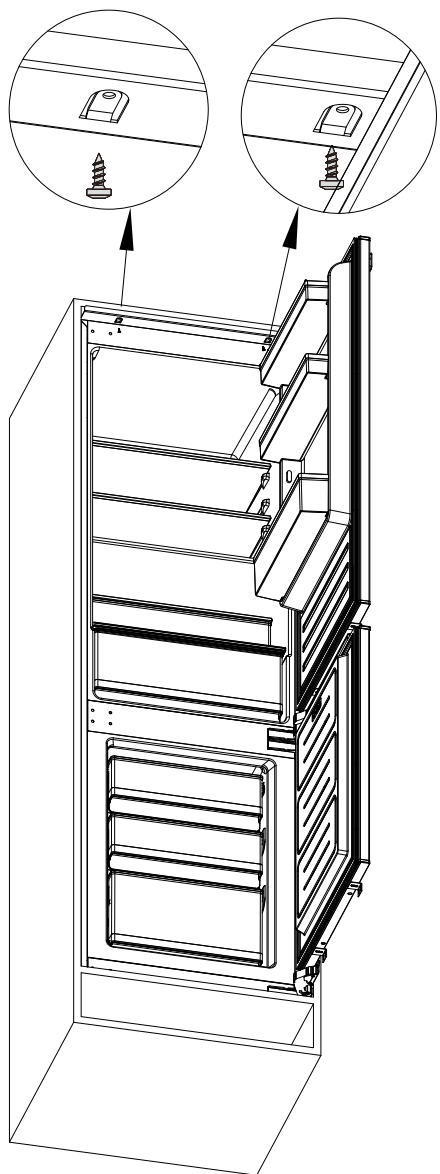
4.2



4.3

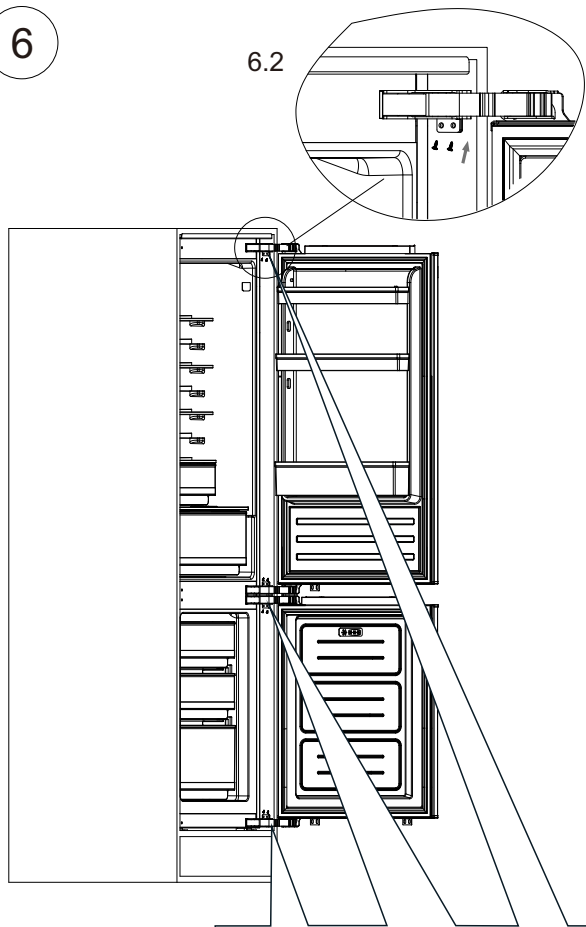


5

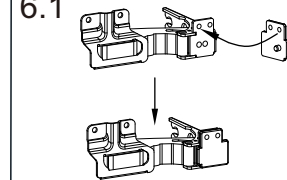


6

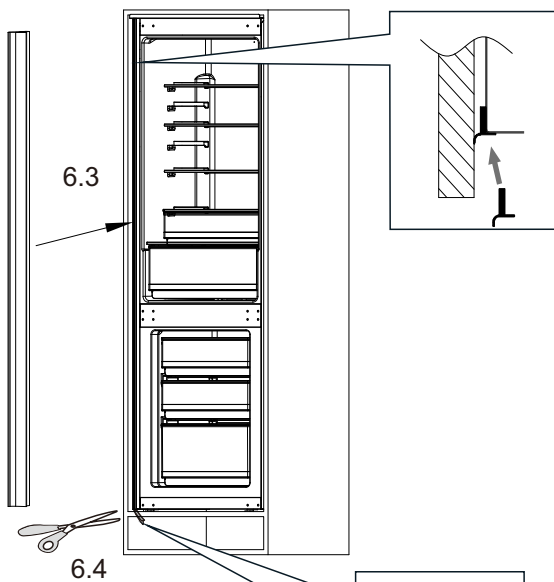
6.2



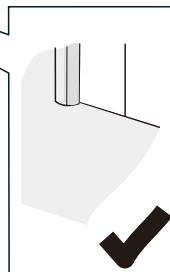
6.1



6.3

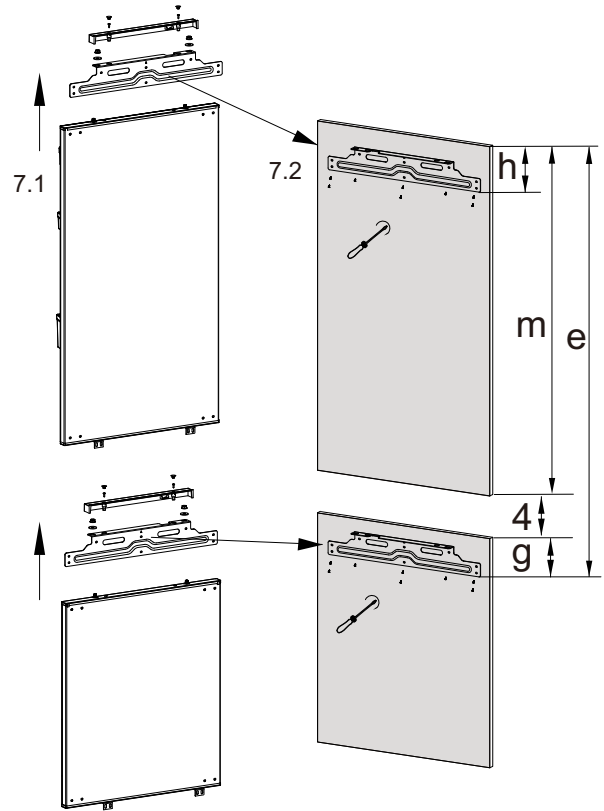
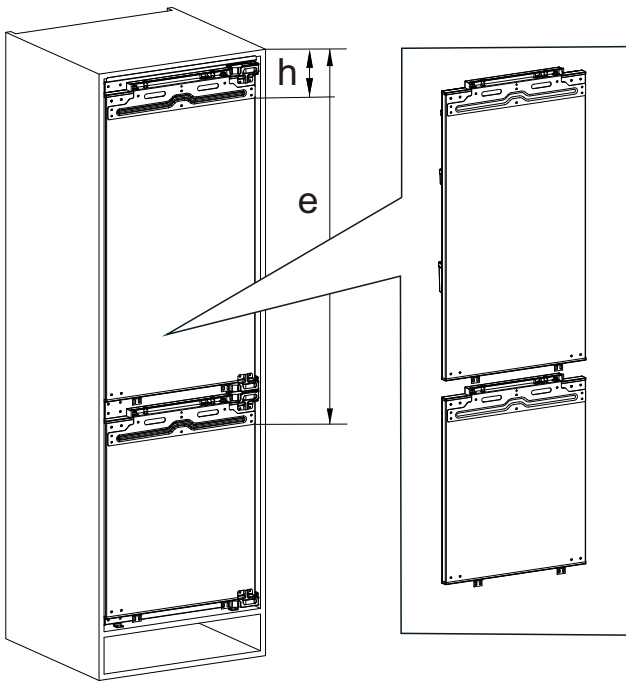


6.4

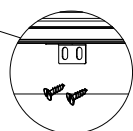
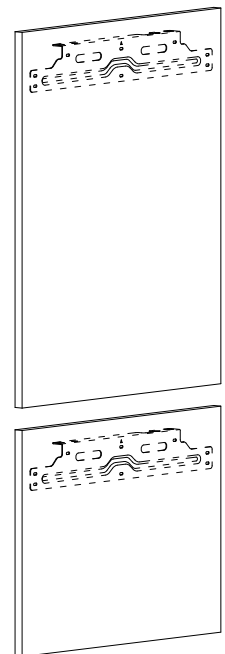
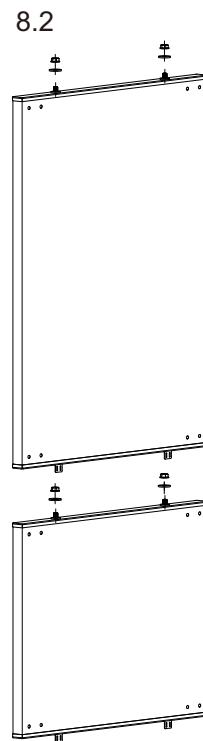
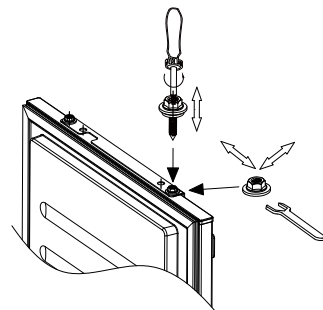
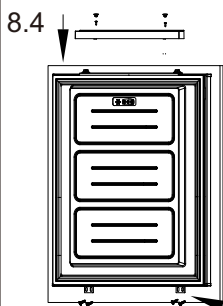
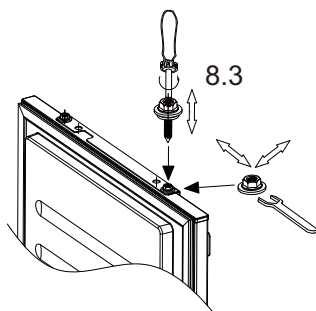
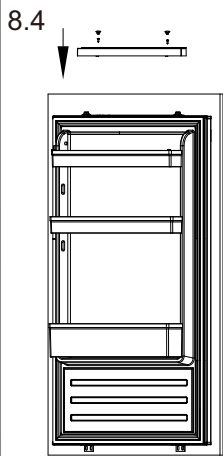


7

32x



8



8.5

